



PRODUCT SHEET

The RAY-ONE streamlines and enhances your daily disinfection routines with its **user-friendly, automated,** and secure design. UV-C disinfection complements existing procedures, offering viral and bacteriological reduction on surfaces, right after manual cleaning of visible contaminants. This automated approach not only ensures effectiveness but also lightens the burden on your workload, promoting biological safety.

RAY-ONE's UV-C radiation disinfects at room temperature.

Moreover, it utilizes UV-C **LED** radiation sources, eliminating the annual lamp replacement cost of conventional mercury UV-C lamps. These LEDs are carefully enclosed to prevent UV-C radiation from escaping, ensuring **maximum safety**.

UPGRADE TO RAY-ONE AND EXPERIENCE SUSTAINABLE DISINFECTION.

RAY-ONE

DISINFECTION FOR
HEAT-SENSITIVE
INSTRUMENTS



ZAPARAY
Brielmolenstraat 51 | 9160 Lokeren
Belgium | BE 0599.931.142
zaparay is a trademark of eLEDricity bvba



PRODUCT SPECIFICATIONS RAY-ONE

UV-C source
active area (WxD)
maximum object height
maximum object weight
user-friendly
safety
power
energy consumption
certification
device weight
dimensions (WxDXH)
(compatible with 19" rack)
maximum vertical load
possible discoloration certain polymers
minimum product lifespan
service interval

UV-C LEDs
255 x 353 mm
85 mm
4.0 kg
touch screen illumination
double safety door switch
230V- 50Hz
5W max per cycle
CE marked, EN-61000-6, EN-61010-1
17 kg
430 x 430 x 175 mm

80 kg
> 1000 cycles
6 years @ 60 cycles / working day
yearly, limited

Included:

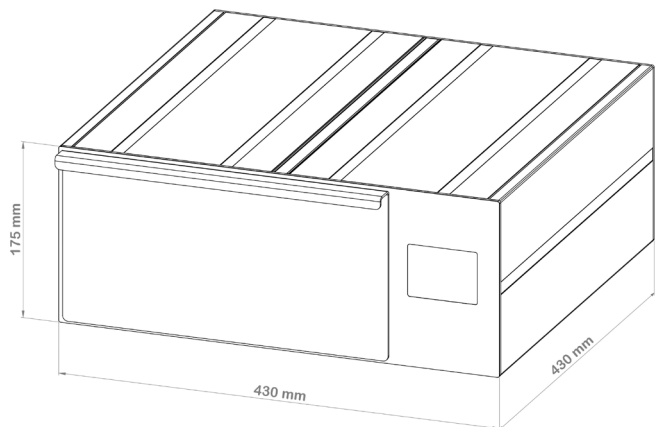
- RAY-PROOFER, for radiation monitoring
- UVSEE™ bags, 300x200 mm, 5 pcs
- power cord, 2,5m, with standard plug (BE)

ADVICE

Before starting a radiation cycle with the RAY ONE, it is essential to ensure that the objects to be disinfected are thoroughly cleaned, free of any visible dirt or droplets.

The intended use of the ZAPARAY RAY ONE is durable UV-C LED disinfection of non-hollow objects with non-porous outer surfaces.

The RAY ONE should not be used for reprocessing medical equipment or sterilization.



Download here
the full manual

zaparay.com
welcome@zaparay.com
+32 9 251 13 23

