



PRODUCT SHEET

The RAY-TWO streamlines and enhances your daily disinfection routines with its **user-friendly, automated,** and secure design. UV-C disinfection complements existing procedures, offering viral and bacteriological reduction on surfaces, right after manual cleaning of visible contaminants. This automated approach not only ensures effectiveness but also lightens the burden on your workload, promoting biological safety.

RAY-TWO's UV-C radiation disinfects at room temperature. Moreover, it utilizes UV-C **LED** radiation sources, eliminating the annual lamp replacement cost of conventional mercury UV-C lamps. These LEDs are carefully enclosed to prevent UV-C radiation from escaping, ensuring **maximum safety.**

To guarantee the effectiveness of the disinfection process, the RAY-TWO incorporates the **patented RAY-CONTROL** that validates the administered UV-C dose in real-time. All essential parameters are conveniently stored in a USB log file, allowing for traceability.

UPGRADE TO RAY-TWO AND EXPERIENCE SUSTAINABLE DISINFECTION.

RAY-TWO

DISINFECTION FOR
HEAT SENSITIVE
INSTRUMENTS



ZAPARAY
Brielmolenstraat 51 | 9160 Lokeren
Belgium | BE 0599.931.142
zaparay is a trademark of eLEDricity bvba



PRODUCT SPECIFICATIONS RAY-TWO

UV-C source
active area (WxD)
maximum object height
maximum object weight

UV-C LED dose per cycle, guaranteed!
certification
user interface
safety circuits

power
power consumption

dimensions (WxDxH) (19" rack compatible)
weight device
maximum vertical load
potential discoloration of certain polymers
minimum product lifespan
service interval

UV-C LEDs
220 x 320 mm
80 mm
4 kg

100mJ/ cm² UV-C @ 268nm (+/- 10nm)
CE marked, EN 61000-6, EN 61010-1
3,5" TFT Touchscreen
radiation sensors + interlock
+ double safety doorswitch
230V - 50 Hz
5W max per cycle

430 x 430 x 175 mm
17 kg
80 kg
> 1000 cycles
6 years @ 60 cycles / working day
yearly, limited

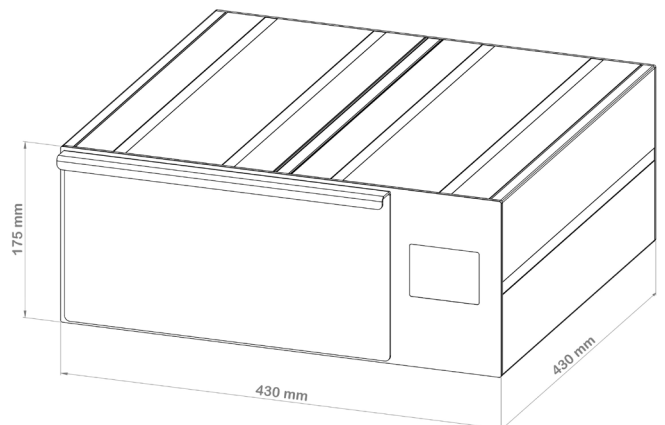
Included:

- power cord 2,5m with standard plug
- USB cable
- UVSEE™ bags, 300x200 mm, 5 pcs

ADVISE

Prior to starting a radiation cycle with the RAY TWO, it is essential to ensure that the objects slated for disinfection are thoroughly cleaned, free from any visible dirt or droplets.

The intended use of the ZAPARAY RAY TWO is sustainable UV-C LED disinfection of non-hollow objects with non-porous outer surfaces. The RAY TWO should not be used for reprocessing medical devices or for sterilization.



Download here
the full manual

zaparay.com
welcome@zaparay.com
+32 9 251 13 23

